

THERM-O-MIX® STATION GENERATIONS



GENERATION ZERO (GEN-0)

Manufactured 2000 - 2013

COMPONENTS

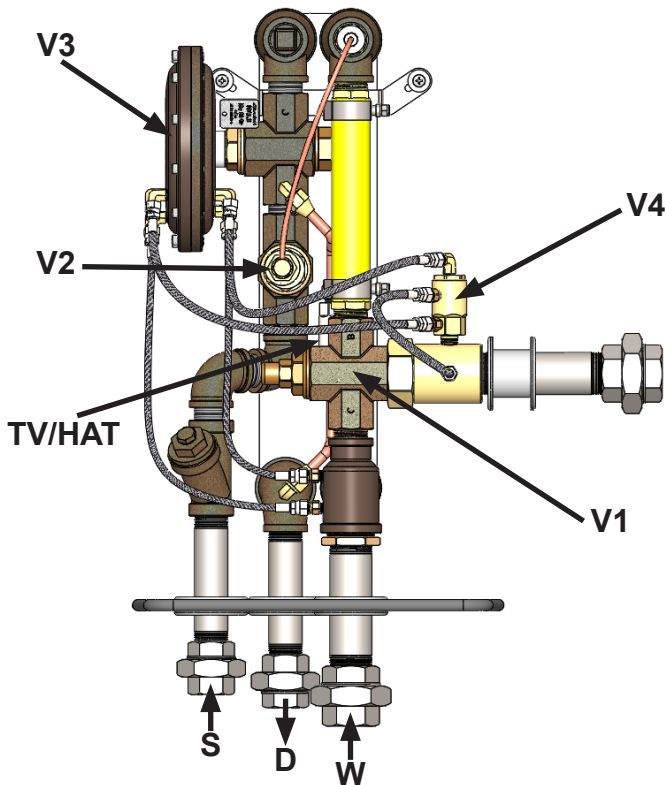
TV/HAT: 155°F Heat Actuated Trap

V1: Mixing Valve

V2: Steam Metering Valve

V3: Diaphragm Valve Steam Flow Control

V4: Final Water Temperature Control



GENERATION ONE (GEN-1)

Manufactured 2013 - 2016

CHANGES MADE

1. Added V5
2. Added V6
3. Added several check valves to comply with ASSE 1071

COMPONENTS

TV/HAT: 155°F Heat Actuated Trap

V1: Mixing Valve

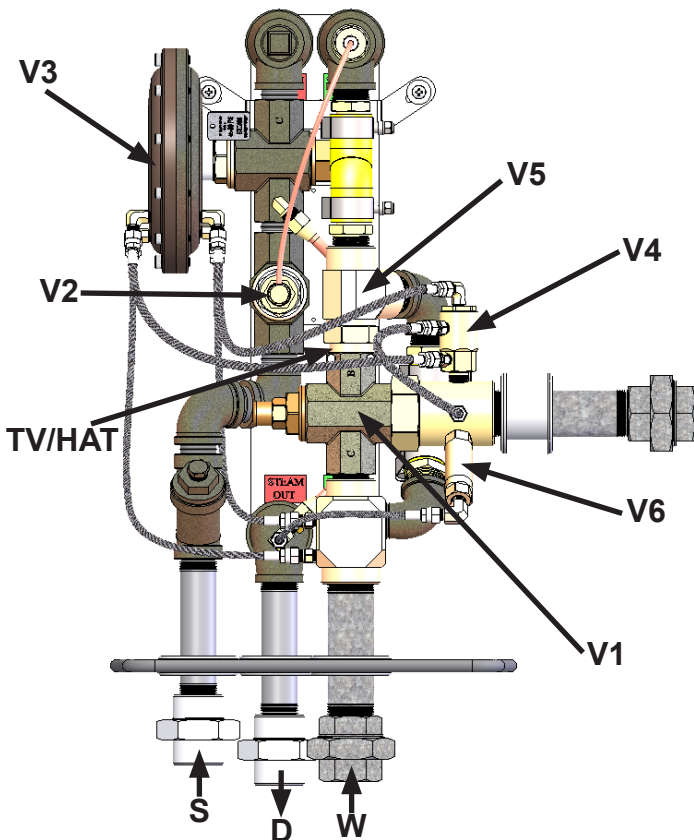
V2: Steam Metering Valve

V3: Diaphragm Valve Steam Flow Control

V4: Final Water Temperature Control

V5: Tempering Valve

V6: Over-Temperature Prevention Valve



THERM-O-MIX® STATION GENERATIONS

GENERATION TWO (GEN-2)

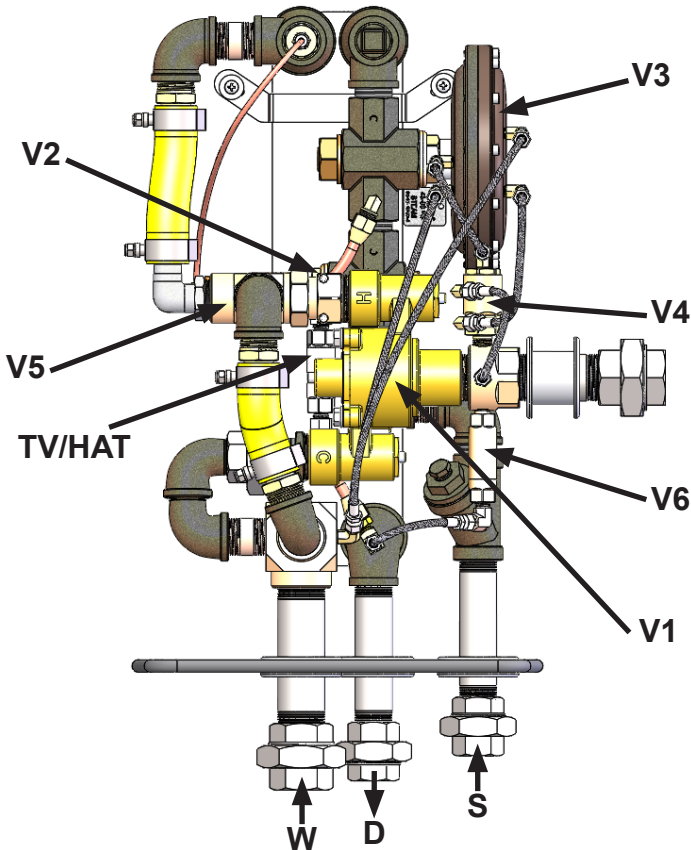
Manufactured 2014 - 2017

CHANGES MADE

1. Replaced V1 Mixing Valve with Haws 9201E V1 Mixing Valve to comply with ASSE 1071

COMPONENTS

- TV/HAT: 155°F Heat Actuated Trap
 V1: Mixing Valve (Haws 9201E)
 V2: Steam Metering Valve
 V3: Diaphragm Valve Steam Flow Control
 V4: Final Water Temperature Control
 V5: Tempering Valve
 V6: Over-Temperature Prevention Valve



GENERATION THREE (GEN-3)

Manufactured 2016 - Present

CHANGES MADE

1. Replaced Haws V1 Mixing Valve with ThermOmegaTech® V1 Mixing Valve
2. Changed the position of V6

COMPONENTS

- TV/HAT: 155°F Heat Actuated Trap
 V1: Mixing Valve
 V2: Steam Metering Valve
 V3: Diaphragm Valve Steam Flow Control
 V4: Final Water Temperature Control
 V5: Tempering Valve
 V6: Over-Temperature Prevention Valve

