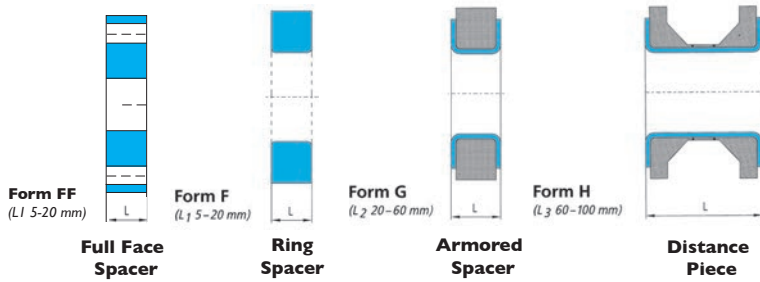


# Spacers (Class 150 and Class 300)



Note: Solid plastic spacers are available with single taper, double taper or taper bore.

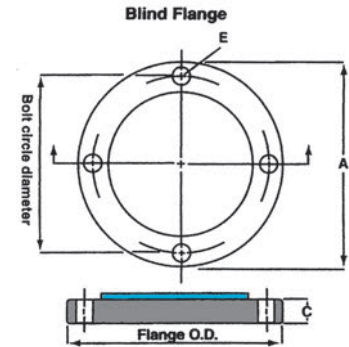
NPS	Lining material		
	PTFE	PVDF	PP
1/2"	●		
3/4"	●		
1"	●	●	●
1 1/4"	●		
1 1/2"	●	●	●
2"	●	●	●
2 1/2"	●		
3"	●	●	●
4"	●	●	●
5"	●		
6"	●	●	●
8"	●	●	●
10"	●	●	●
12"	●	●	●
14"	●		
16"	●		
18"	●		
20"	●		

## Flanges

### CLASS 150 ROTATING AND BLIND FLANGES (FORGED STEEL)

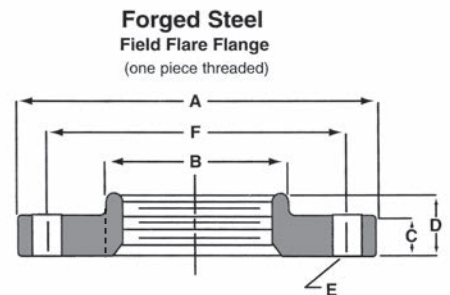
Size of Flange	Flange OD A	Hub Diameter B *	Thickness C	Overall Thickness D	Bolt Holes E		Bolt Circle Diameter F	150# Bolt Info.	
					No.	Size		Bolt Size	Nut Thk
1"	4 1/4"	1 5/16"		1 1/16"	4	5/8"	3 1/8"	1/2" - 13	.50
1 1/2"	5"	2 9/16"	1 1/16"	7/8"	4	5/8"	3 7/8"	1/2" - 13	.50
2"	6"	3 1/16"	3/4"	1"	4	3/4"	4 3/4"	5/8" - 11	.625
2 1/2"	7"	3 9/16"	7/8"	1 1/8"	4	3/4"	5 1/2"	5/8" - 11	.625
3"	7 1/2"	4 1/4"	15/16"	1 3/16"	4	3/4"	6"	5/8" - 11	.625
4"	9"	5 5/16"	15/16"	1 5/16"	8	3/4"	7 1/2"	5/8" - 11	.625
6"	11"	7 9/16"	1"	1 9/16"	8	7/8"	9 1/2"	3/4" - 10	.750
8"	13 1/2"	9 11/16"	1 1/8"	1 3/4"	8	7/8"	11 3/4"	3/4" - 10	.750
10"	16"	*	-	-	12	1"	14 1/4"	7/8" - 9	.875
12"	19"	*	-	-	12	1"	17"	1 1/8" - 9	.875

\*Blind flange only.



### CASS 300 ROTATING AND BLIND FLANGES

Size of Flange	Flange OD A	Hub Diameter B *	Thickness C	Overall Thickness D	Bolt Holes E		Bolt Circle Diameter F	300# Bolt Info.	
					No.	Size		Bolt Size	Nut Thk
1"	4 7/8"	1/8"	1 1/16"	1 1/16"	4	3/4"	3 1/2"	5/8" - 11	.625
1 1/2"	6 1/8"	2 3/4"	1 3/16"	1 3/16"	4	7/8"	4 1/2"	3/4" - 10	.750
2"	6 1/2"	3 5/16"	7/8"	1 5/16"	8	3/4"	5"	5/8" - 11	.625
3"	8 1/4"	4 5/8"	1 1/8"	1 11/16"	8	7/8"	6 5/8"	3/4" - 10	.750
4"	10"	5 3/4"	1 1/4"	1 7/8"	8	7/8"	7 7/8"	3/4" - 10	.750
6"	12 1/2"	8 1/8"	1 7/16"	2 1/16"	12	7/8"	10 5/8"	3/4" - 10	.750
8"	15"	10 1/4"	1 5/8"	2 7/16"	12	1"	13"	7/8" - 9	.875
10"	17 1/2"	-	-	-	16	1 1/8"	15 1/4"	1" - 8	1"
12"	20 1/2"	-	-	-	16	1 1/4"	17 3/4"	1 1/8" - 7	1.125



Dimensions for rotating flanges. Consult factory for other styles.